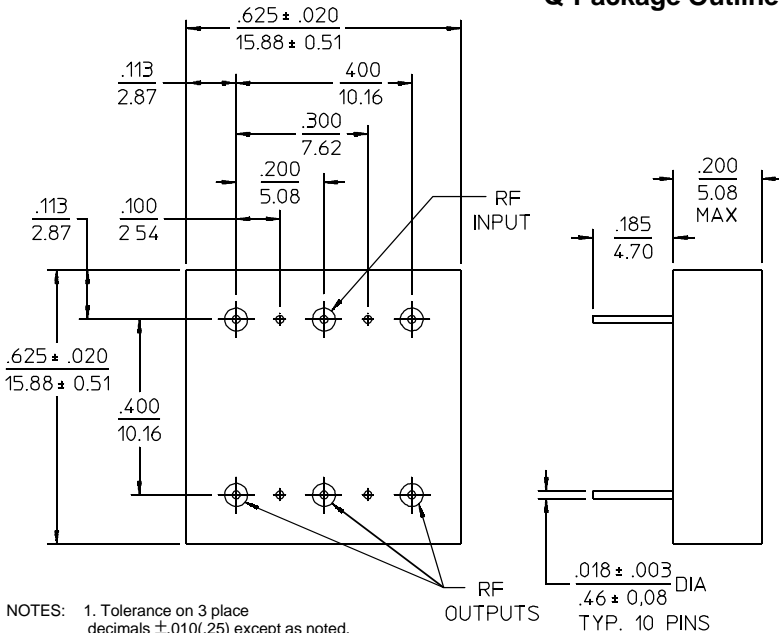


PRINCIPAL SPECIFICATIONS

Model Number	Frequency Range, MHz	Freq. Perform., MHz	Isolation, dB,		Insertion Loss, dB,		Phase Balance,		Amplitude Balance, dB,		VSWR	
			Min.	Typ.	Max.	Typ.	Max.	Typ.	Max.	Typ.	Max.	Typ.
PDP-3Q-525	50 - 1000	50 - 800	20	25	1.5	0.8	8°	3°	0.5	0.3	1.5:1	1.3:1
		800 - 1000	20	25	2.25	1.5	10°	5°	0.7	0.5	1.7:1	1.4:1

**Meri-Pac™
Q-Package Outline**

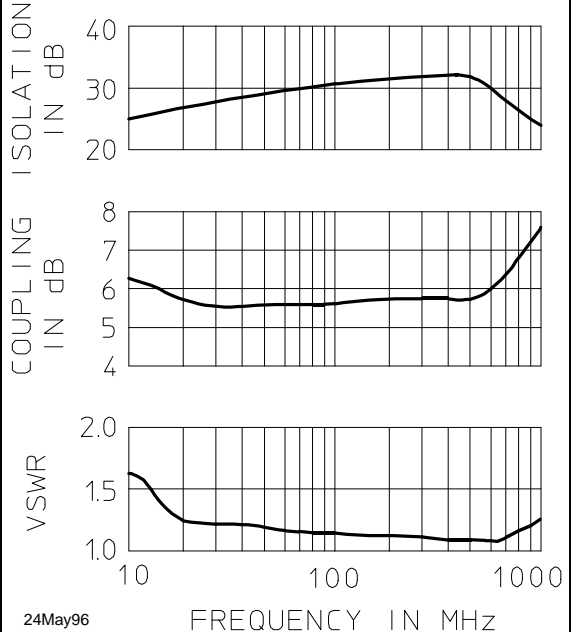


- NOTES: 1. Tolerance on 3 place decimals ±.010(.25) except as noted.
 2. Dimensions in inches over millimeters.
 3. Lead dimensions apply only at body.
 4. All unmarked pins are case ground.

GENERAL SPECIFICATIONS

- Nominal Coupling: - 4.8 dB
- Impedance: 50 Ω
- CW Input Power: 1W max.
(When used as divider with 1.2:1 VSWR_{out})
- Internal Load Dissipation: 50 mW max.
- Weight, nominal: 0.23 oz. (5.7 g)
- Operating Temperature: -55° to +85°C

Typical Characteristics of PDP-3Q-525



General Notes:

- The PDP-3Q-525 3-way Power Divider/Combiner covers 50 to 1000 MHz and is ideal for applications where high performance and an ultra-miniature package is essential.
- The Meri-Pac™ housing these Power Divider/Combiners is ideally suited to airborne and space applications where inherent package reliability and hermeticity are critical.