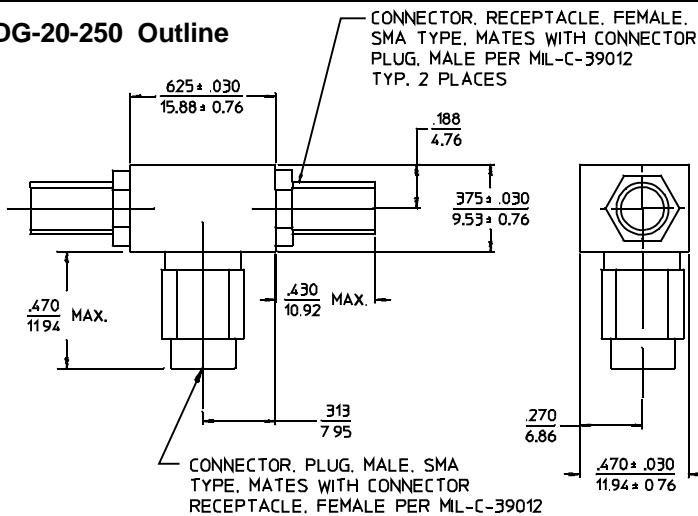


PRINCIPAL SPECIFICATIONS

Model Number	Frequency Range, MHz	Frequency Performance, MHz	Isolation, dB,		Insertion Loss, dB,		Phase Balance		Amplitude Balance, dB,		VSWR In/Output	
			Min.	Typ.	Max.	Typ.	Max.	Typ.	Max.	Typ.	Max.	Typ.
PDU-20-250	5 - 500	5 - 500	25	30	0.7	0.5	2°	1°	0.2	0.1	1.35:1	1.2:1

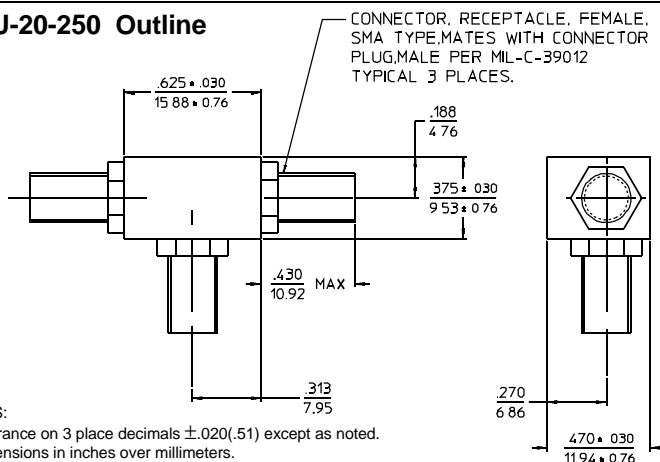
PDG-20-250 Outline



GENERAL SPECIFICATIONS

- Coupling: - 3 dB nom.
- Impedance: 50 Ω nom.
- Internal Load Dissip.: 250 mW max.
- CW Input Power: 1 Watt max
(When used as divider with 1.2:1 VSWR_{out})
- Weight, nominal: 0.32 oz. (9 g)
- Operating Temperature: - 55° to + 85°C

PDU-20-250 Outline



NOTES:

1. Tolerance on 3 place decimals ±.020(.51) except as noted.
2. Dimensions in inches over millimeters.

General Notes:

1. The PDG-20-250 and PDU-20-250 2-way Power Dividers/Combiners cover a broad frequency range from 5 MHz to 500 MHz using a special high performance lumped element design to reduce overall size.
2. These units are suited for connectorized applications where an ultra-miniature package is essential.

24May96