



# PDM-81-12G SQ 0° DIVIDERS / COMBINERS

REV: 004, 02/05/01

- SPACE QUALIFIED
- 10.5 - 13 GHz, 8 WAY, SMA



## TECHNICAL DESCRIPTION / APPLICATION

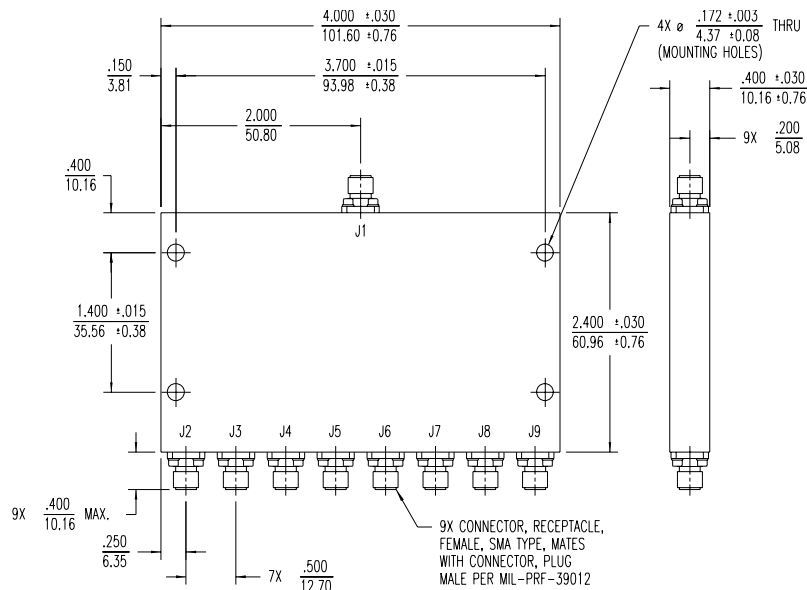
SERIES 06

The PDM-81-12G SQ 8-way In-Phase Power Divider/Combiner covers 10.5-13 GHz. It uses a conventional Wilkinson design which provides high isolation and low VSWR. This unit has been designed, manufactured and qualified per Merrimac document CENG-0001, "Standard Design Requirements for Space Qualified Devices".

## GENERAL SPECIFICATIONS

MODEL NUMBER	FREQUENCY RANGE GHz	ISOLATION dB MIN.	INSERTION LOSS MAX.	AMPLITUDE BALANCE MAX.	VSWR MAX
PDM-81-12G SQ	10.5 - 13.0	16	1.4 dB	0.5 dB	1.4:1
PHASE BALANCE	CW INPUT WITH LOAD VSWR 1.2:1		IMPEDANCE NOM.	OPERATING TEMPERATURE	WEIGHT MAX.
±6°	2 W		50 OHM	-55° to +85° C	9.7 oz

## PACKAGE OUTLINE



NOTES:

1. TOLERANCE ON 3 PLACE DECIMALS ±.020 (.51mm) EXCEPT AS NOTED.
2. DIMENSIONS IN INCHES OVER MILLIMETERS.