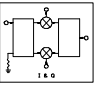
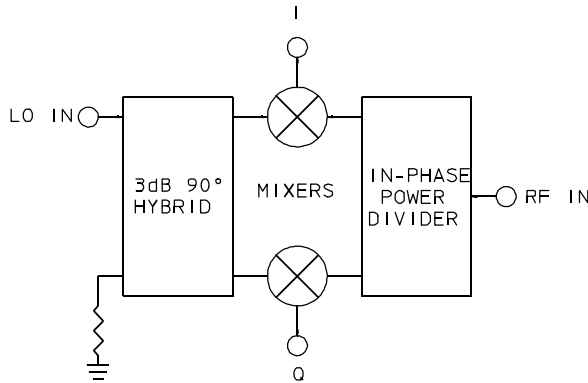


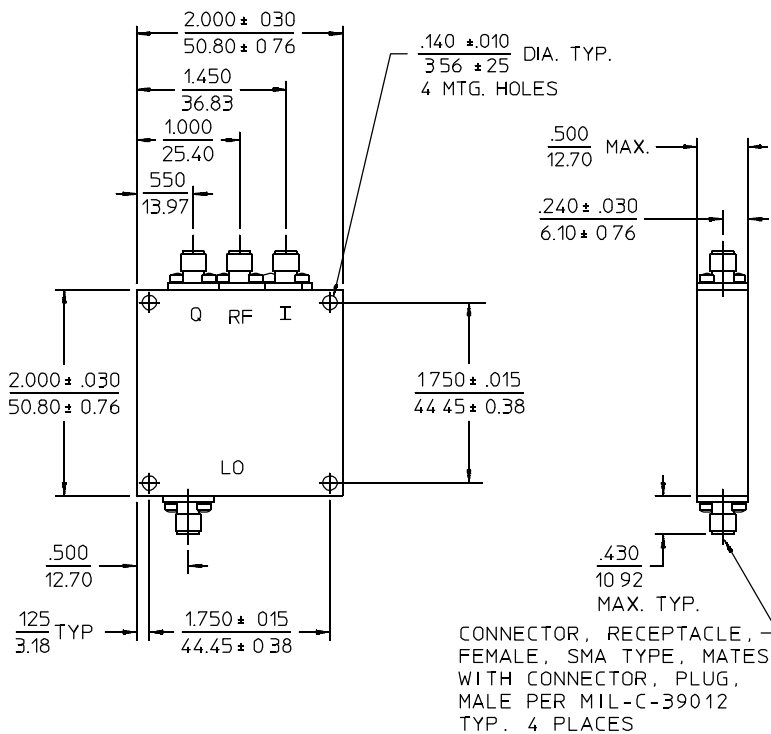
IQM-2D Series

I&Q NETWORKS

2.5 to 6.5 GHz / 10% Bandwidths / Excellent Phase and Amplitude Balance / Hi-Rel SMA Package



D-Package Outline



NOTES: 1. Tolerance on 3 place decimals $\pm 0.020(.51)$ except as noted.
2. Dimensions in inches over mm.

PRINCIPAL SPECIFICATIONS

Model Number	RF/LO Center Freq., f_0 , GHz	RF/LO Bandwidth MHz
IQM-2D-****B	2.5 to 6.5	10% of f_0

For complete model number replace **** with desired center freq. f_0 in MHz

GENERAL SPECIFICATIONS

RF/LO Input Characteristics

Impedance:	50 Ω nom.
VSWR: 10% BW:	1.5:1 max.
RF Power Level:	0 dBm nom.
LO Power Level:	+10 dBm nom.

I & Q Output Characteristics

90° Phase Balance:	$\pm 3^\circ$ typ., $\pm 5^\circ$ max.
For $f_L > f_R$:	$I=0^\circ, Q=+90^\circ$
Amplitude Balance:	0.3 dB typ., 0.5 dB max.
Video Bandwidth, nom:	DC to 500 MHz
Output Impedance:	50 Ω nom.

Conversion Loss:	10 dB typ., 12 dB max.
------------------	---------------------------

Weight, nominal:	3 oz (84 g)
Operating Temperature:	-55° to +85°C

AVAILABLE OPTIONS

2° and 0.2 dB Versions:	For fixed LO
Wider Bandwidths:	Contact factory

General Notes:

- I & Q networks are integrated networks that produce two quadrature phased, equal amplitude signals when fed RF and LO signals.
- The IQM-2D series of microwave I&Q networks uses both lumped element circuits and distributed circuit technology for small size and high performance.
- Merrimac I & Q Networks comply with the relevant sections of MIL-M-28837 and may be supplied screened for compliance with additional specifications for military and space applications requiring the highest reliability.

24May96