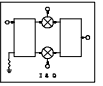
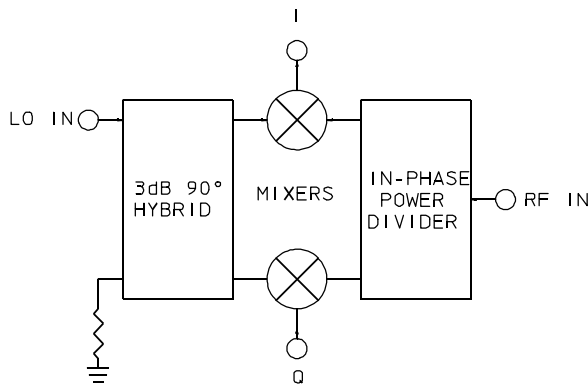


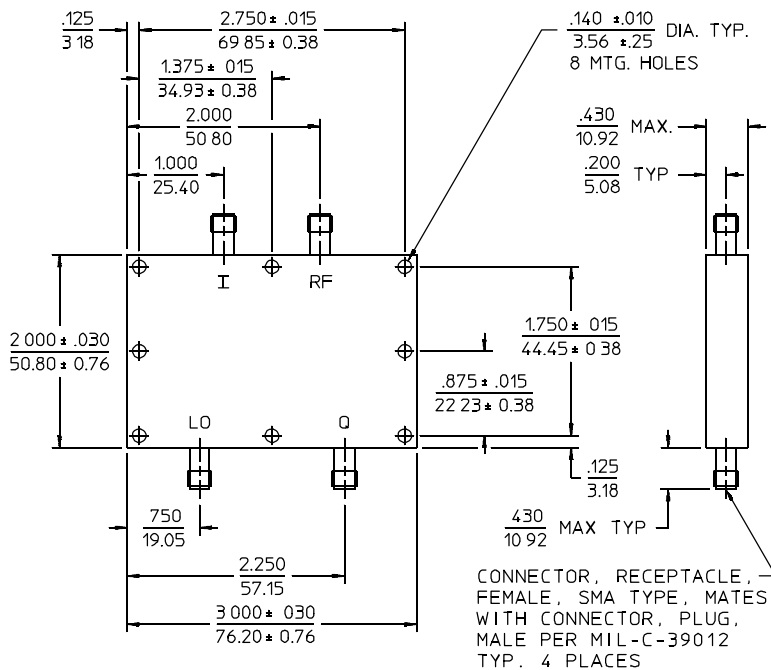
IQM-3B-1000

I&Q NETWORK

750 to 1250 MHz / Excellent Phase and Amplitude Balance / Hi-Rel SMA Package



B-Package Outline



NOTES: 1. Tolerance on 3 place decimals $\pm 0.030(.75)$ except as noted.
2. Dimensions in inches over millimeters.

PRINCIPAL SPECIFICATIONS

Model Number	RF/LO Center Freq. f_o , GHz	Band- width, MHz	90° Phase Accuracy Typ., (Max)
IQM-3B-1000	1.0	500	$\pm 3^\circ$ ($\pm 5^\circ$)

GENERAL SPECIFICATIONS

RF/LO Input Characteristics

Impedance: 50 Ω nom.
VSWR: 1.8:1 max.
RF Power Level: 0 dBm nom.
LO Power Level: +10 dBm nom.

I & Q Output Characteristics

Amplitude Balance: 0.3 dB typ., 0.5 dB max.
Video Bandwidth: DC to \dagger 100 MHz nom.
Output Impedance: 50 Ω nom.

Conversion Loss: 10 dB typ, 12 dB max.

(RF to I or Q)

Weight, nominal: 3 oz (84 g)

Operating Temp: -55° to $+85^\circ$ C

Higher Freqs: See IQM-4D series

\dagger Video Bandwidth is typically much greater than 100 MHz

General Notes:

1. I & Q networks are integrated networks that produce two quadrature phased, equal amplitude signals when fed RF and LO signals.
2. The IQM-3B-1000 wideband microwave I&Q network uses both lumped element and distributed circuit technologies to insure high performance in a flatpack design.
3. Merrimac I & Q Networks comply with the relevant sections of MIL-M-28837 and may be supplied screened for compliance with additional specifications for military and space applications requiring the highest reliability.

13Feb96