

DML-2B-10G

DOUBLE BALANCED MIXER

2 to 18 GHz / +7 to 10 dBm LO / Low Conv. Loss / Wideband IF / Hermetic Pkg with Removable SMA



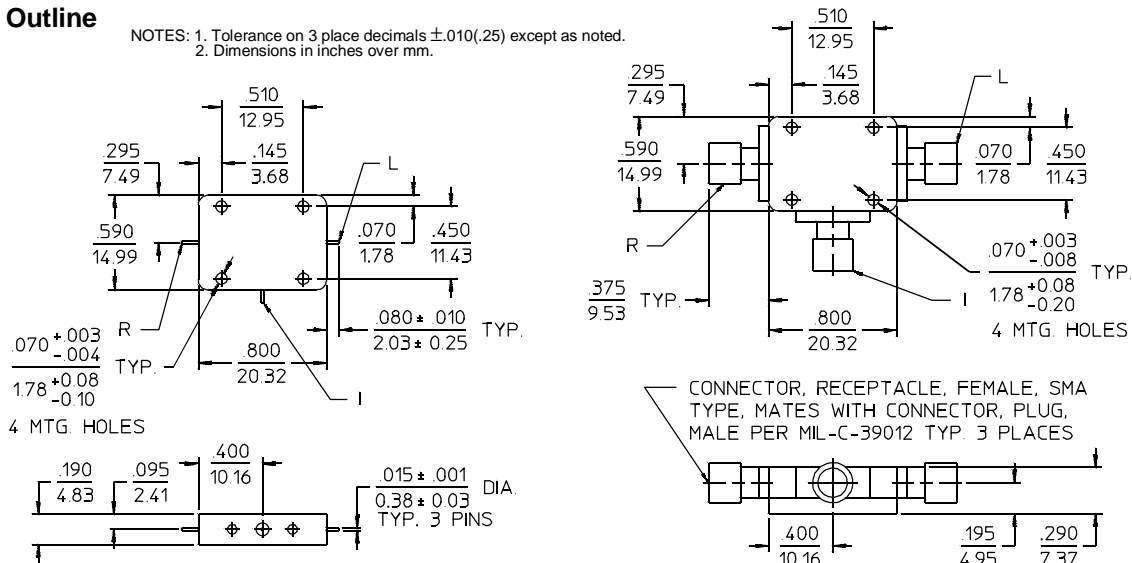
PRINCIPAL SPECIFICATIONS

Model Number	RF/LO Frequency, GHz	LO Drive Range, dBm, Nom.	IF Range, GHz	Conversion Loss, SSB, dB		Isolation, L-R, dB		Isolation, L-X, dB		Isolation, R-X, dB		VSWR Typ.	
				Max.	Typ.	Min.	Typ.	Min.	Typ.	Min.	Typ.	LO	RF
DML-2B-10G	3 - 18	+7 to +10	DC - 1	8.5	5.5	20	40	18	30	18	30	2.0:1	2.0:1
			1 - 1.5	9.0	6.5								
			1.5 - 2	10.0	7.5								

All specifications are as measured in a 50Ω system, at nominal LO Power, in a down converter application.

Package Outline

NOTES: 1. Tolerance on 3 place decimals ±.010(.25) except as noted.
2. Dimensions in inches over mm.



23Feb96

General Notes:

- The DML-2B-10G Double Balanced Mixer covers the frequency range of 2 to 18 GHz and is optimized for low loss and broad RF/LO bandwidth. The hermetic removable SMA package is used for performance testing and reliability.
- Merrimac offers a broad selection of Double Balanced Mixers ideal for a variety of signal processing functions from 20 kHz to 20 GHz and for applications from routine to very special.
- All Merrimac mixers comply with MIL-M-28837 and may be supplied screened for compliance with additional specifications for military and space applications requiring the highest reliability.

GENERAL SPECIFICATIONS

Third Order Input Intercept: +13 dBm typ.
 Noise Figure: Within ±1 dB of Conversion Loss
 1 dB Compression Point: 0 dBm min. (Referenced to Input)
 1 dB Desensitization Point: -2 dBm min. (Referenced to Input)
 Polarity Sense: Positive
 DC Offset Voltage: 5 mV typ.
 Weight with SMA, nom: 0.7 oz (20 g)
 Operating Temperature: -55° to +85°C