



# CSM-10-1.5G SQ DIRECTIONAL COUPLERS

REV: 005, 02/08/01

- SPACE QUALIFIED
- 1 - 2 GHz DIRECTIONAL COUPLER



## TECHNICAL DESCRIPTION / APPLICATION

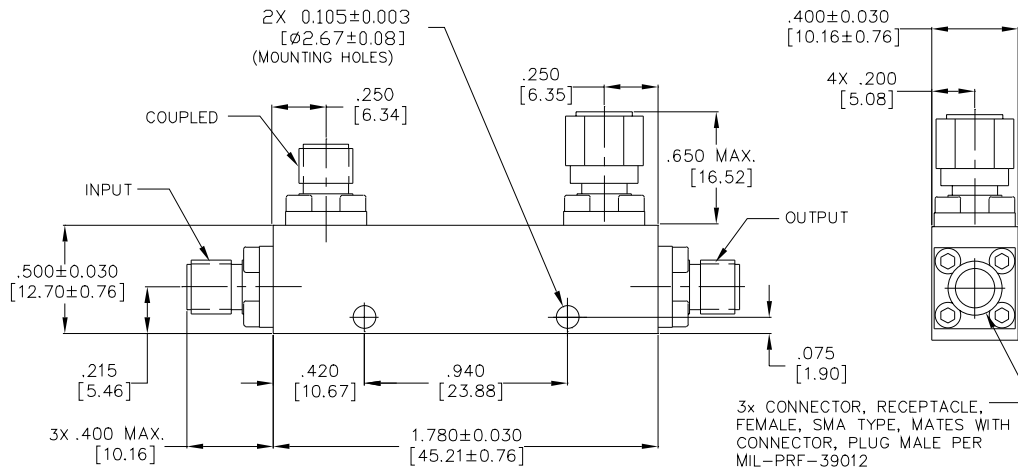
SERIES 05

The CSM-10-1.5G SQ Directional Coupler covers 1-2 GHz with a stripline design. This offers low transmission loss and excellent VSWR. This unit has been designed, manufactured and qualified per Merrimac document CENG-0001, "Standard Design Requirements for Space Qualified Devices".

## GENERAL SPECIFICATIONS

MODEL NUMBER	FREQUENCY RANGE GHz	COUPLING dB	INSERTION LOSS dB MAX.	DIRECTIVITY dB MIN.	VSWR MAIN, MAX.
CSM-10-1.5G SQ	1.0 - 2.0	10 +/- 1.25	0.2	23	1.1:1
VSWR COUPLED, MAX.	FREQUENCY SENSITIVITY dB MAX.	CW POWER RATING MAIN LINE			WEIGHT
1.1:1	+/- .75	10 WATTS			1.27 oz.

## PACKAGE OUTLINE



NOTES:

1. TOLERANCE ON 3 PLACE DECIMALS ±.020 [.51mm] EXCEPT AS NOTED.
2. MAX. IS LARGEST DIMENSION ALLOWED.
3. DIMENSIONS=INCHES [mm]
4. METRIC EQUIVALENTS ARE TO THE NEAREST .01mm.
5. WEIGHT: 1.27 OZ. [36g] MAX.