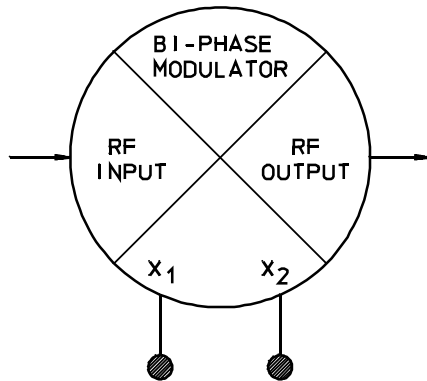




BPP-2N Series

BIPHASE MODULATORS

10 to 2000 MHz / ECL & TTL Compatible / Fast Switching / Hermetic Package

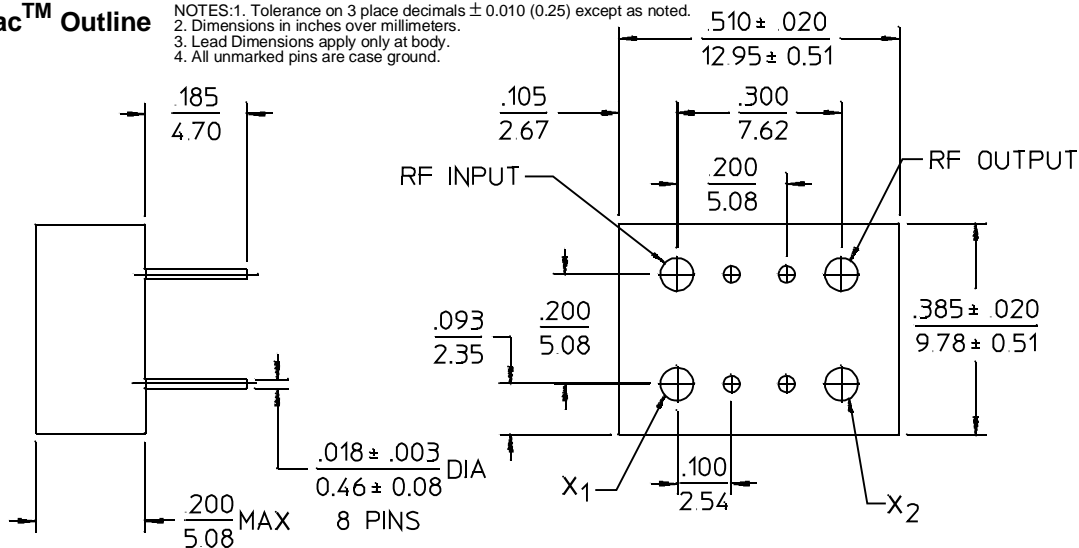


PRINCIPAL SPECIFICATIONS

| Model Number | Frequency Range, MHz | Insertion Loss, dB, | | Amplitude Balance, dB, | | Phase Balance | | Carrier Suppression, Typ. |
|--------------|----------------------|---------------------|------|------------------------|------|---------------|------|---------------------------|
| | | Max. | Typ. | Max. | Typ. | Max. | Typ. | |
| BPP-2N-500 | 10 – 500 | 3 | 2 | 0.3 | 0.20 | ± 3° | ± 1° | - 40 dBc |
| | 500 – 1000 | 4 | 3 | 0.5 | 0.20 | ± 4° | ± 2° | - 35 dBc |
| BPP-2N-1500 | 1000 – 2000 | 6 | 5 | 0.75 | 0.25 | ± 5° | ± 2° | - 30 dBc |

N-Merripac™ Outline

NOTES: 1. Tolerance on 3 place decimals ± 0.010 (0.25) except as noted.
 2. Dimensions in inches over millimeters.
 3. Lead Dimensions apply only at body.
 4. All unmarked pins are case ground.



General Notes:

1. The BPP-2N series of Biphase Modulators covers the frequency range of 10 to 2000 MHz with sub-nanosecond switching times in the higher frequency units.
2. Customized versions are available for special frequency bands matched to your special applications.
3. The BPP-2N series can be driven directly by either TTL or ECL drivers. Most units are available in a variety of alternative packages such as the TO-8, flatpack or connectorized packages. TTL or ECL drivers may be included in the larger packages.
4. All units comply with applicable sections of MIL-M-28837 and may be supplied screened for compliance with additional specifications for military and space applications requiring the highest reliability.

24May96

GENERAL SPECIFICATIONS

| | |
|------------------------|-------------------------------------|
| Impedance: | 50 Ω nom. |
| RF Input Level: | - 3 dBm max. |
| VSWR: | 2.0:1 max. |
| Switching Speed: | 2 nS typ. |
| Data Levels: | Logic 1: +15 mA Logic 0: - 15 mA |
| Weight, nominal: | 0.1 oz (2.8 g) |
| Operating Temperature: | - 55° to +85°C |