

**TECHNICAL DESCRIPTION**

- 1.2 - 1.6 GHz
- LOW LOSS
- HIGH ISOLATION
- EXCELLENT PHASE/AMPLITUDE BALANCE
- SURFACE MOUNT
- TAPE & REEL AVAILABLE



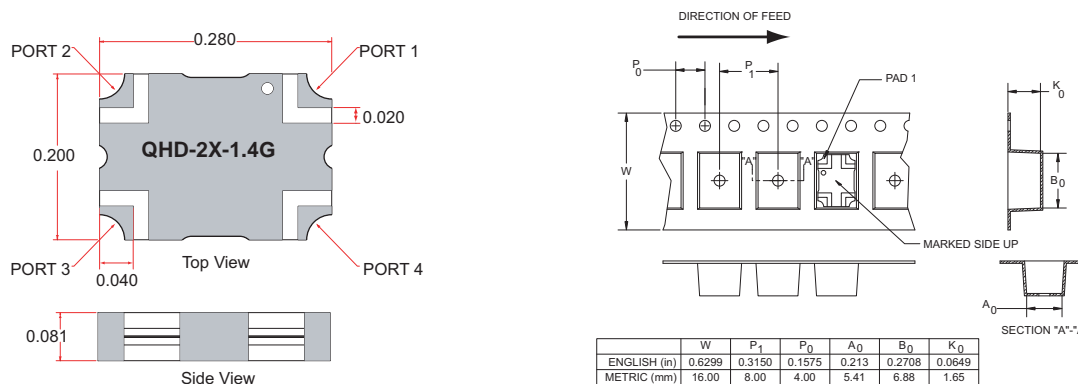
The Multi-Mix® QHD series provides a 3 dB 90° coupling with low insertion loss, low VSWR, and high isolation. Accurate phase and amplitude balance make this series ideal for use in IQ networks, power amplifiers, radio transceivers, receiver multicouplers and RF signal distribution and processing.

QHD quad hybrids are fusion bonded multilayer stripline devices. The fusion bonding process yields a homogeneous monolithic dielectric structure with reliability, ruggedness, and electrical performance that is superior to conventional adhesive bonding techniques.

**GENERAL SPECIFICATIONS**

FREQUENCY RANGE GHz		ISOLATION (dB MIN)	INSERTION LOSS (dB MAX)	VSWR (MAX)
1.2 - 1.6		20	0.25	1.3:1
AMPLITUDE BALANCE (dB MAX)	PHASE BALANCE (MAX)	INPUT POWER (CW, MAX)	RF INTERFACE	OPERATING TEMPERATURE
±0.4	90±4°	100 W	Surface Mount	-55° - +85° C

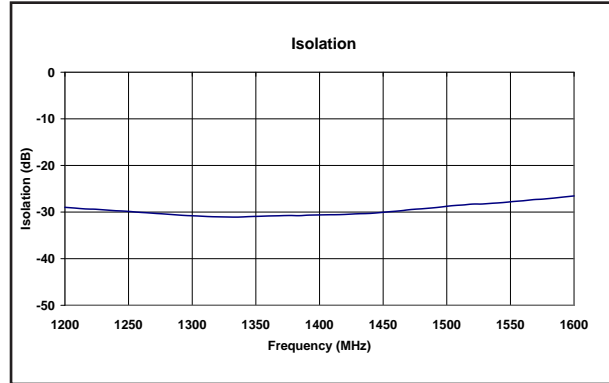
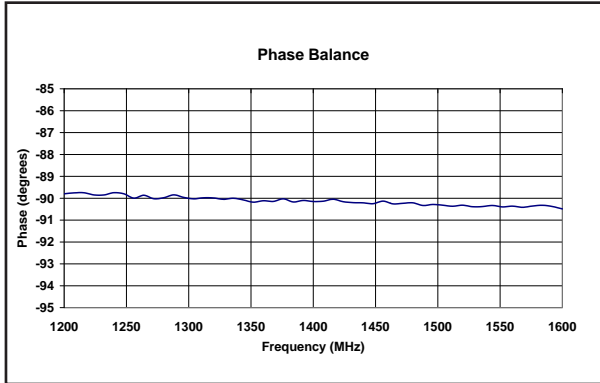
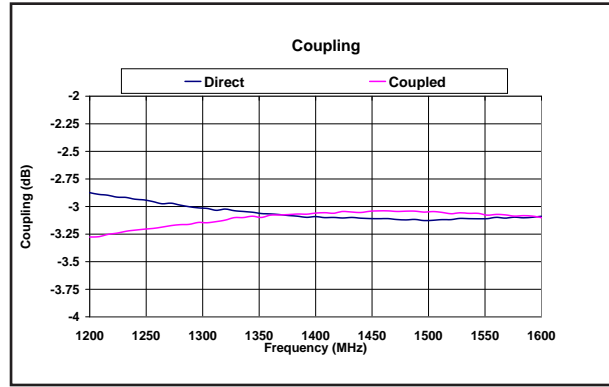
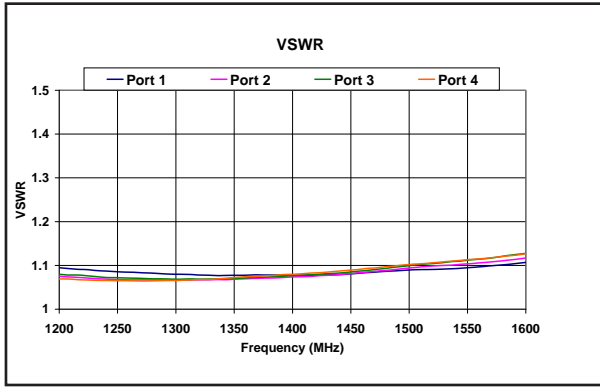
**PACKAGE OUTLINE/ TAPE & REEL ORIENTATION**



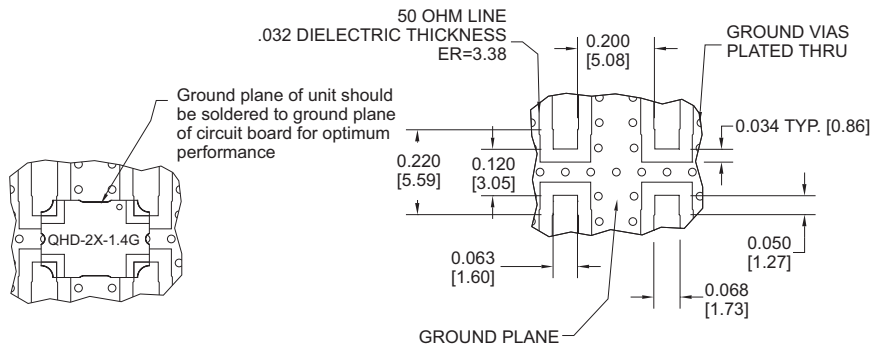
**THE MULTI-MIX MICROTECHNOLOGY® GROUP IS ISO 9001:2000 REGISTERED**

U.S. Patent 6,099,677 and other Patents Pending.

## TYPICAL PERFORMANCE



## MOUNTING CONFIGURATION



## TRUTH TABLE

	1	2	3	4
1	Input	Isol	-90°	0°
2	Isol	Input	0°	-90°
3	-90°	0°	Input	Isol
4	0°	-90°	Isol	Input