

TECHNICAL DESCRIPTION

FEATURES

- 225 - 400 MHz
- LOW LOSS
- HIGH ISOLATION
- EXCELLENT PHASE/AMPLITUDE BALANCE
- HIGH POWER HANDLING
- SURFACE MOUNT

APPLICATIONS

- BASE STATION POWER AMPLIFIERS



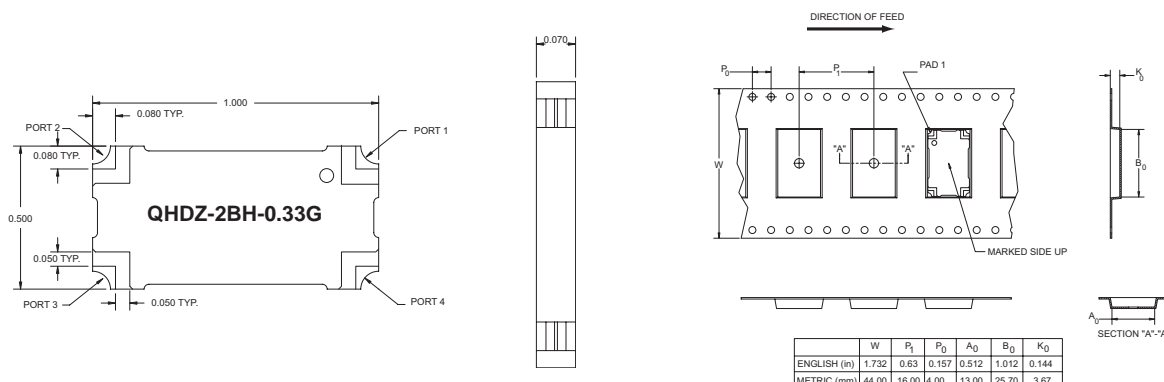
The QHDZ-2BH-0.33G series is a member of the Multi-Mix QHDZ family of 3-dB 90° couplers for use in the 225-400 MHz range. The QHDZ-2BH-0.33G exhibits low insertion loss, low VSWR, and high isolation. Excellent phase and amplitude balance and high RF power handling capability make this series ideal for use in base station power amplifiers in particular and radio transceivers, receiver/antenna multi-couplers and RF signal distribution and processing equipment in general.

The construction of QHDZ quad hybrids is based on fusion bonded multiplayer stripline structures. The fusion bonding process yields homogeneous monolithic dielectric structures with reliability, ruggedness, and electrical and thermal performance that are superior to conventional adhesive bonding techniques.

GENERAL SPECIFICATIONS

FREQUENCY RANGE (MHz)		INSERTION LOSS (dB MAX)	AMPLITUDE BALANCE (dB MAX)	PHASE BALANCE
225 - 400		0.20	± 0.4	90 ± 3°
ISOLATION (dB MIN)	VSWR (MAX, ALL PORTS)	AVERAGE POWER (WATTS, MAX.)	RF INTERFACE	OPERATING TEMPERATURE
20	1.20:1	125	Leadless Surface Mount	-55° - +95° C

PACKAGE OUTLINE / TAPE & REEL ORIENTATION

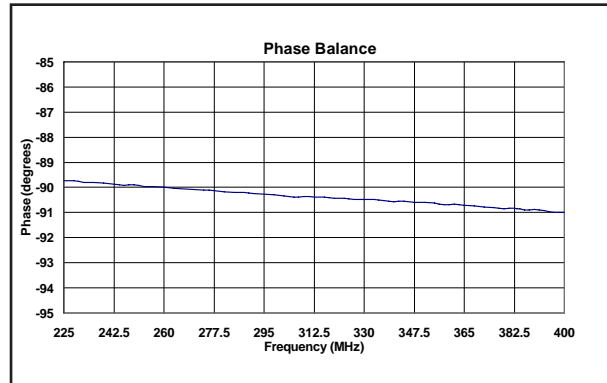
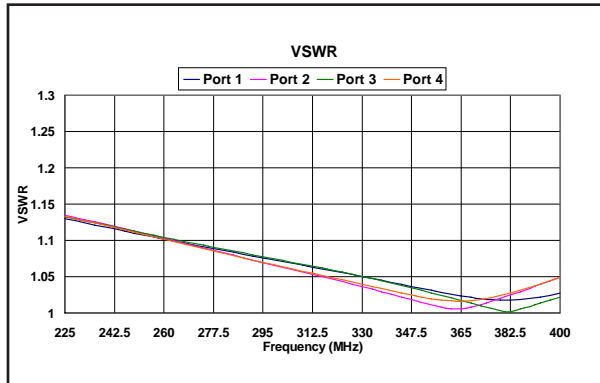
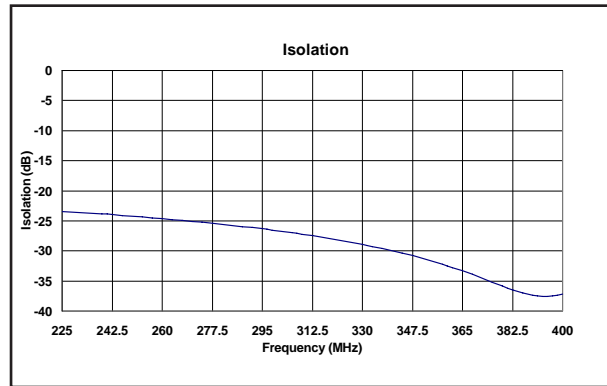
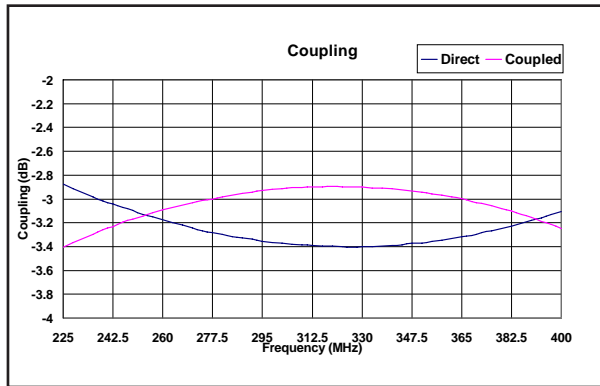


THE MULTI-MIX MICROTECHNOLOGY® GROUP IS ISO 9001:2000 REGISTERED

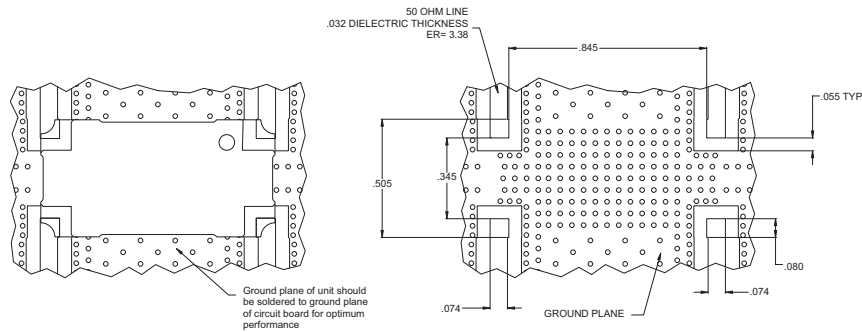


U.S. Patent 6,099,677 and other Patents Pending.

TYPICAL PERFORMANCE



MOUNTING CONFIGURATION



TRUTH TABLE

	1	2	3	4
1	Input	Iso	-90°	0°
2	Iso	Input	0°	-90°
3	-90°	0°	Input	Iso
4	0°	-90°	Iso	Input