

**TECHNICAL DESCRIPTION**

**FEATURES**

- 2.0 - 4.0 GHz
- LOW LOSS
- HIGH DIRECTIVITY
- EXCELLENT COUPLING ACCURACY
- SURFACE MOUNT

**APPLICATIONS**

- WCDMA BASE STATION
- RF SUBSYSTEMS
- SATCOM



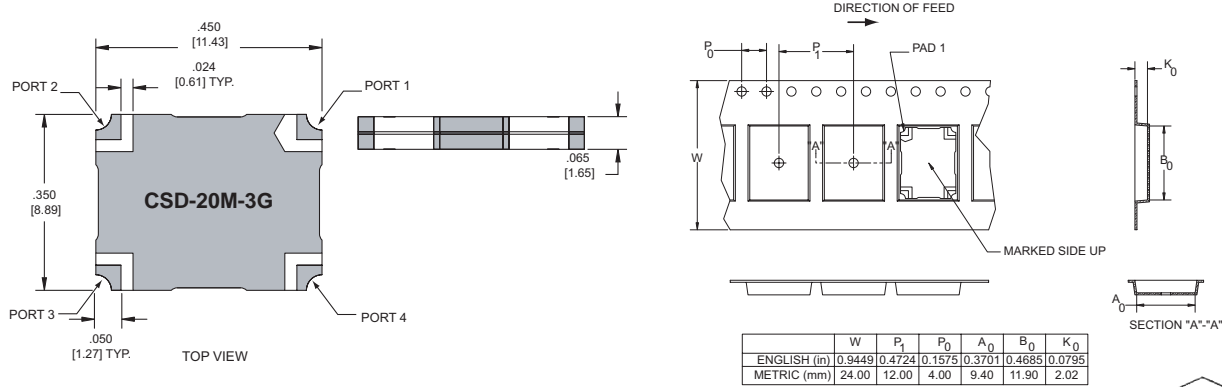
The Multi-Mix® CSD series provides a 20 dB coupling with low insertion loss, low VSWR, and high directivity. Accurate coupling factors make this series ideal for use in power amplifiers and RF signal distribution and processing.

CSD - 20 directional couplers are fusion bonded multilayer stripline devices. The fusion bonding process yields a homogeneous monolithic dielectric structure with reliability, ruggedness, and electrical performance that is superior to conventional adhesive bonding techniques.

**GENERAL SPECIFICATIONS**

FREQUENCY RANGE MHz	INSERTION LOSS (dB MAX)	MEAN COUPLING (dB)	VSWR (MAX, ALL PORTS)
2000 - 4000	0.35	20 ± 1	1.35:1
FREQUENCY SENSITIVITY (dB MAX)	DIRECTIVITY (dB MIN)	POWER (AVG. CW WATTS)	OPERATING TEMPERATURE
± 1.0	12	100	-55° TO +85° C

**PACKAGE OUTLINE / TAPE AND REEL ORIENTATION**

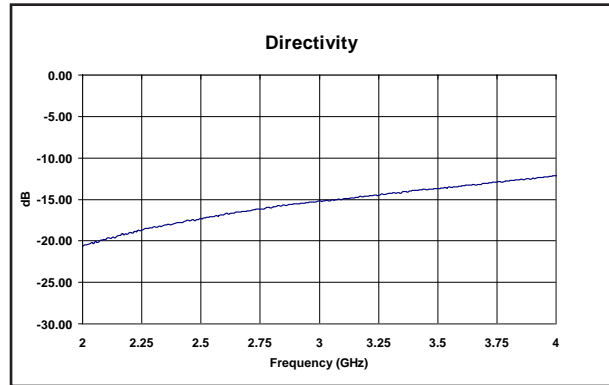
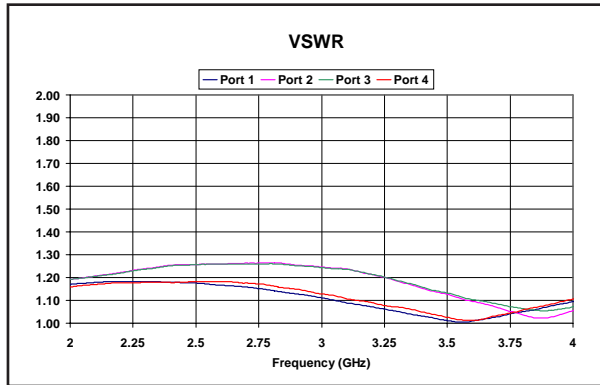
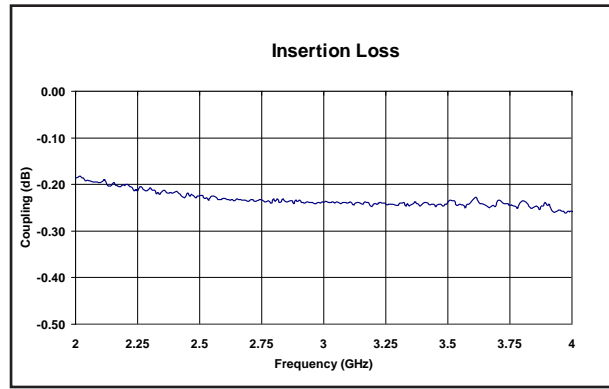
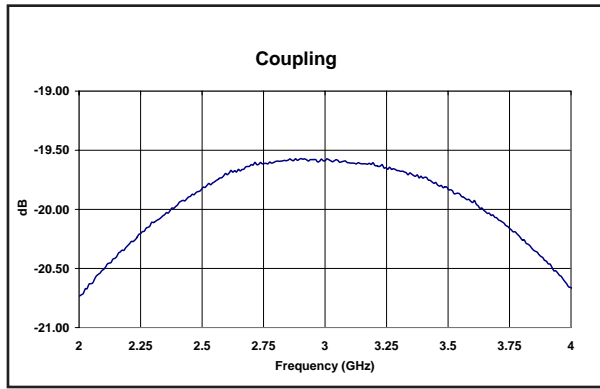


**THE MULTI-MIX MICROTECHNOLOGY® GROUP IS ISO 9001:2000 REGISTERED**

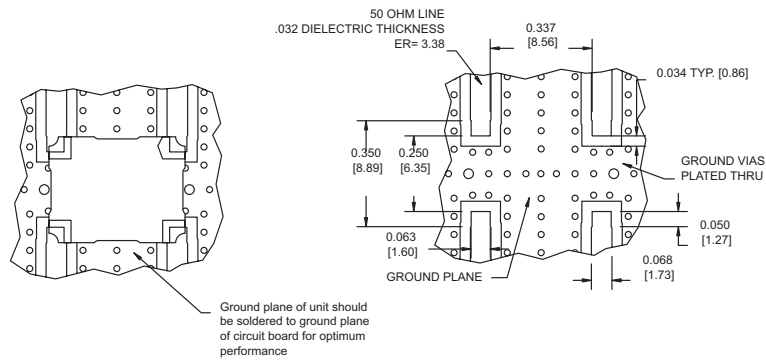


U.S. Patent 6,099,677 and other Patents Pending.

## TYPICAL PERFORMANCE



## MOUNTING CONFIGURATION



## TRUTH TABLE

	1	2	3	4
1	Input	Output	Isolated	Coupled
2	Output	Input	Coupled	Isolated
3	Isolated	Coupled	Input	Output
4	Coupled	Isolated	Output	Input