

**TECHNICAL DESCRIPTION**

**FEATURES**

- 0.96 - 1.220 GHz
- LOW LOSS
- LOW VSWR
- HIGH POWER
- HIGH DIRECTIVITY
- SURFACE MOUNT
- TAPE & REEL



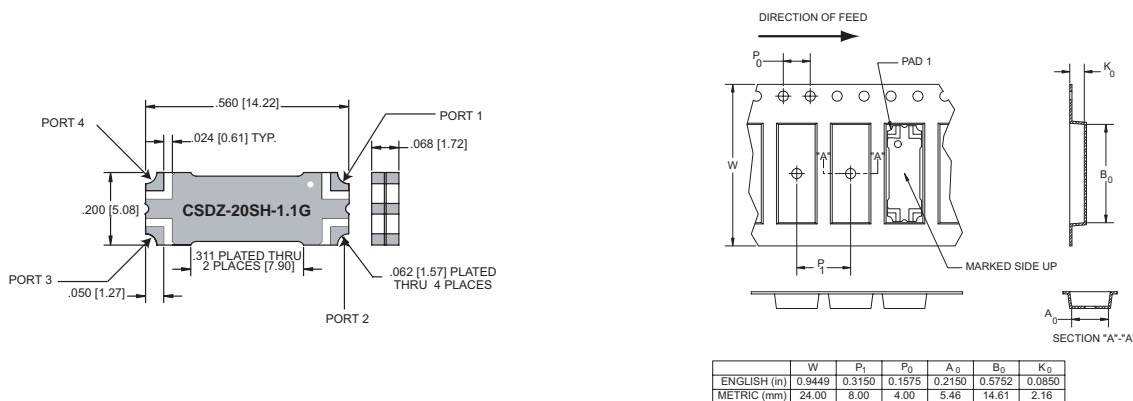
The Multi-Mix® CSDZ-SH series provides a 20 dB coupler with low insertion loss, low VSWR, and high directivity. Accurate coupling factors make them ideal for applications involving power amplifiers, signal distribution and processing.

CSDZ-SH Directional Couplers are fusion bonded multilayer stripline assemblies. The fusion bonding process yields a homogeneous monolithic dielectric structure with reliability, ruggedness, and electrical performance that is superior to conventional adhesive bonding techniques.

**GENERAL SPECIFICATIONS**

FREQUENCY RANGE GHz		MEAN COUPLING	INSERTION LOSS (dB MAX)	VSWR (MAX)	FREQUENCY SENSITIVITY (dB MAX)
0.96 - 1.220		20 ± 0.5 dB	0.20	1.15:1	± 0.30
DIRECTIVITY (dB, MIN)	INPUT POWER	SIZE (INCHES)	WEIGHT (OZ./GRAMS)	RF INTERFACE	OPERATING TEMPERATURE
20	125 W	0.56 x 0.20 x 0.068	0.02/0.6	Leadless Surface Mount	-55° - +95° C

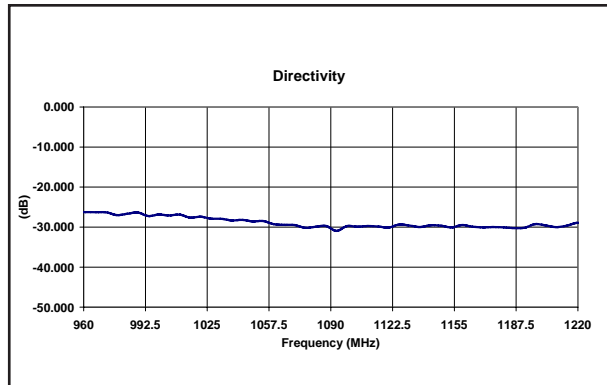
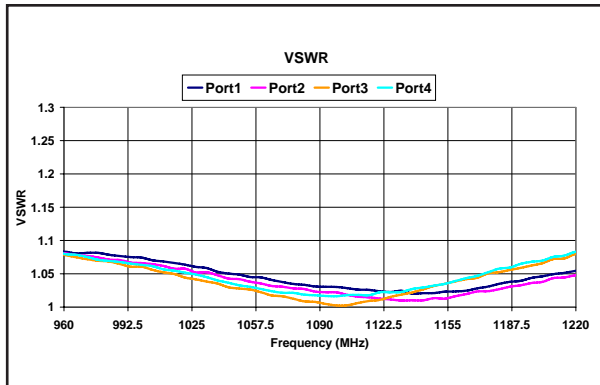
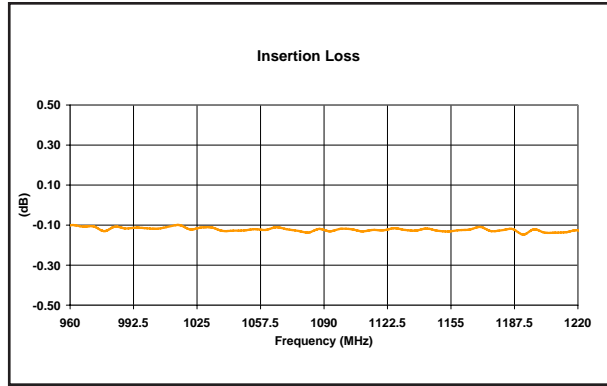
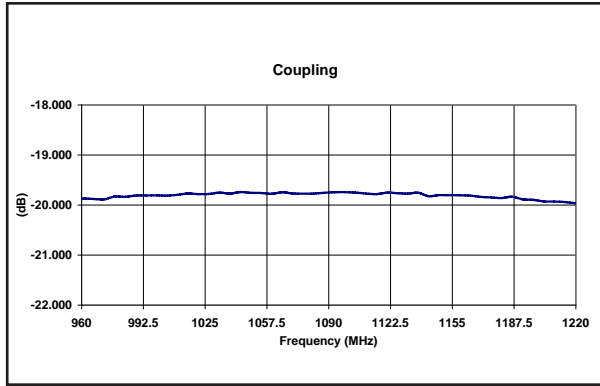
**PACKAGE OUTLINE / TAPE & REEL ORIENTATION**



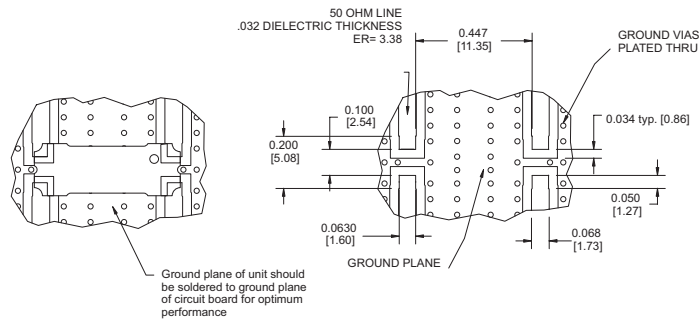
**THE MULTI-MIX MICROTECHNOLOGY® GROUP IS ISO 9001:2000 REGISTERED**

U.S. Patent 6,099,677 and other Patents Pending.

**TYPICAL PERFORMANCE**



**MOUNTING CONFIGURATION**



**TRUTH TABLE**

	1	2	3	4
1	Input	Coupled	Isolated	Out
2	Coupled	In	Out	Isolated
3	Isolated	Out	Input	Coupled
4	Out	Isolated	Coupled	Input